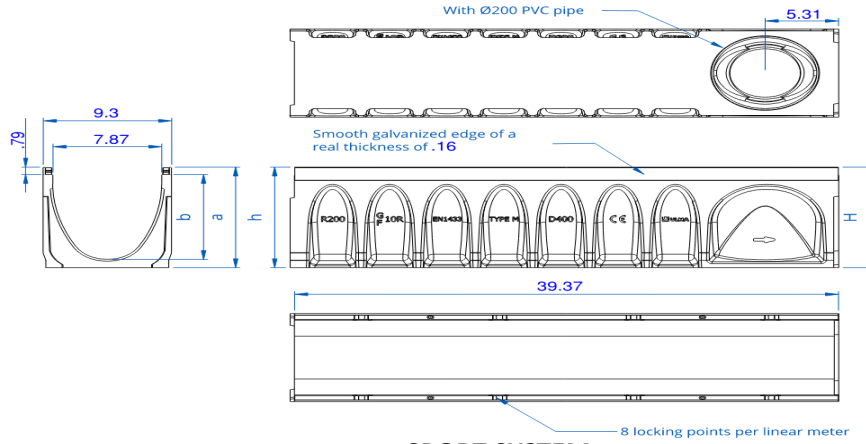


Number R200G	Series MULTIV 200
-----------------------------------	--



SPORT SYSTEM

External width: 9.3"
Internal width: 7.87"
Length: 39.37"

Channel Reference	Total Height (in)		Internal Height (in)		Hydraulic Section in.	Outlet	
	h	H	A	B		Vertical	Horizontal
R200G00R	6.7	6.7	5.04	5.04	31.6	7.87	—
R200G00R	8.66	8.66	7.01	7.01	44.02	7.87	—
R200G01	8.66	8.86	7.01	7.2	45.65	7.87	—
R200G02	8.86	9.06	7.2	7.4	46.97	7.87	—
R200G03	9.06	9.25	7.4	7.6	48.21	7.87	—
R200G04	9.25	9.45	7.6	7.8	49.5	7.87	—
R200G05	9.45	9.65	7.8	8	50.7	7.87	—
R200G06	9.65	9.84	8	8.2	52	7.87	—
R200G07	9.84	10.04	8.2	8.4	53.24	7.87	—
R200G08	10.04	10.24	8.4	8.6	54.5	7.87	—
R200G09	10.24	10.43	8.6	8.8	55.8	7.87	—
R200G10	10.43	10.63	8.8	9	57.04	7.87	—
R200G10R	10.63	10.63	9	9	57.04	7.87	—

Manufacturer

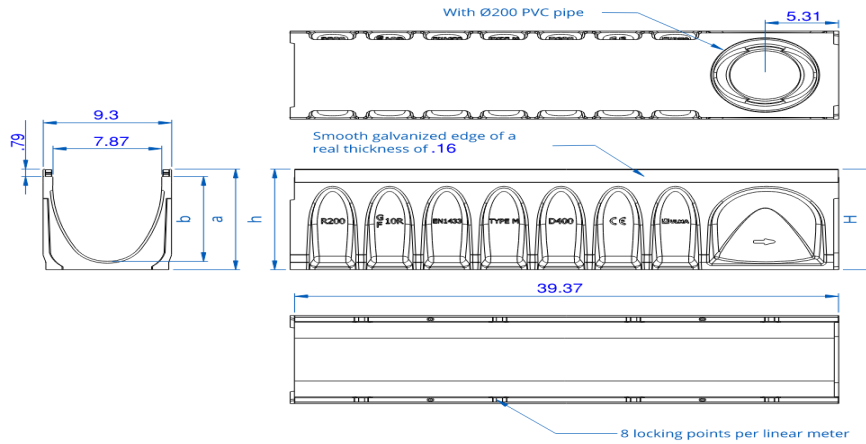


Specification

ULMA R200G Polymer Concrete linear drainage channel
 GALVANIZED STEEL EDGE
 Load Class up to D400, EN 1433 Standard
 Vertically and Horizontally channel aligning tongue and groove joints

DISCLAIMER - The customer and the customer's architects, engineers, consultants, and other professionals are completely responsible for the selection installation and maintenance of any product purchased from Trench Drain Supply and/or its manufacturers. TRENCH DRAIN SUPPLY MAKES NO WARRANTY, EXPRESS OR IMPLIED, AS TO THE SUITABILITY, DESIGN, MERCHANTABILITY, OR FITNESS OF THE PRODUCT FOR CUSTOMERS APPLICATION. The drawing and information provided remain the property and copyright of the manufacturer listed. The manufacturer reserves the right to modify specification without notice.

Number	Series
R200G	MULTIV 200



R200G11	10.63	10.83	9	9.2	60.22	7.87	—
R200G12	10.83	11.02	9.2	9.4	61.38	7.87	—
R200G13	11.02	11.22	9.4	9.6	62.62	7.87	—
R200G14	11.22	11.42	9.6	9.8	63.8	7.87	—
R200G15	11.42	11.62	9.8	10	65.02	7.87	—
R200G16	11.62	11.81	10	10.2	66.2	7.87	—
R200G17	11.81	12.01	10.2	10.4	67.43	7.87	—
R200G18	12.01	12.2	10.4	10.6	68.6	7.87	—
R200G19	12.2	12.4	10.6	10.8	69.83	7.87	—
R200G20	12.4	12.6	10.8	10.94	71	7.87	—
R200G20R	12.6	12.6	10.94	10.94	71	7.87	—
R200G30R	14.6	14.6	12.91	12.91	84.01	7.87	—

Manufacturer



Specification

ULMA R200G Polymer Concrete linear drainage channel
 GALVANIZED STEEL EDGE
 Load Class up to D400, EN 1433 Standard
 Vertically and Horizontally channel aligning tongue and groove joints

DISCLAIMER - The customer and the customer's architects, engineers, consultants, and other professionals are completely responsible for the selection installation and maintenance of any product purchased from Trench Drain Supply and/or its manufacturers. TRENCH DRAIN SUPPLY MAKES NO WARRANTY, EXPRESS OR IMPLIED, AS TO THE SUITABILITY, DESIGN, MERCHANTABILITY, OR FITNESS OF THE PRODUCT FOR CUSTOMERS APPLICATION. The drawing and information provided remain the property and copyright of the manufacturer listed. The manufacturer reserves the right to modify specification without notice.